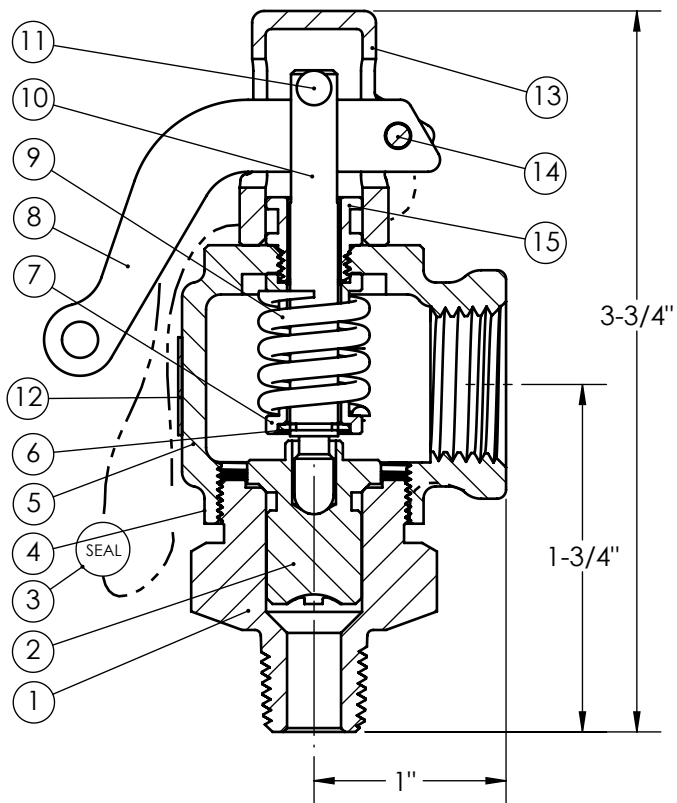


Aquatrol Inc. is the owner of this print and design thereon



Item	Description	Material
1	Body	Brass/Stainless
2	Disk	Bronze/Stainless
3	Seal Wire	Steel / Lead
4	Lock Screw	Brass
5	Bonnet	Brass
6	Support	Stainless
7	Spring Plate	Brass
8	Lift Lever	Steel / Plated
9	Spring	Stainless
10	Spring Post	Brass
11	Lift Pin	Brass
12	Nameplate	Stainless
13	Hood	Bronze
14	Lever Pin	Brass
15	Hood Mount	Brass

Series 133
 ASME - NB Section VIII Air/Gas/Steam
 Inlet Sizes 1/4" - 3/8" - 1/2"
 Outlet size 1/2" NPT
 Max. 200 P.S.I.

Aquatrol VALVE COMPANY, INC.	
PART NAME	Series 133
Date: 5/18/2015	Part Number 3-133-00
Drawn by:	
Approved by:	

Revised: 12/6/2017