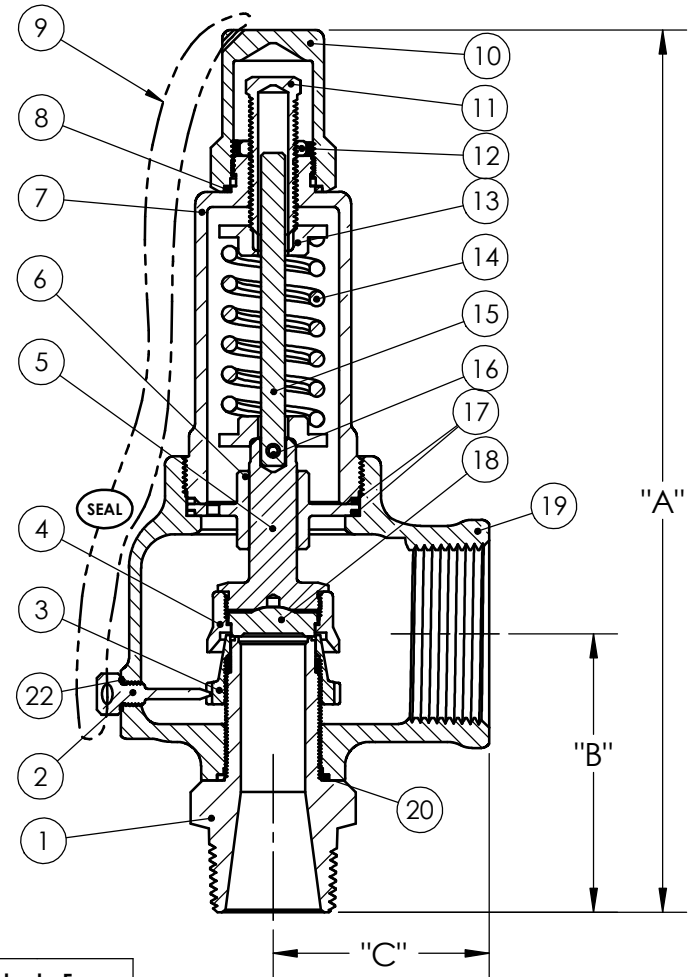
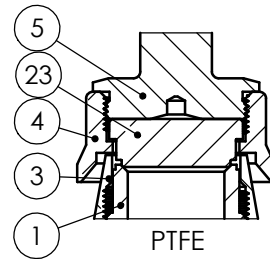
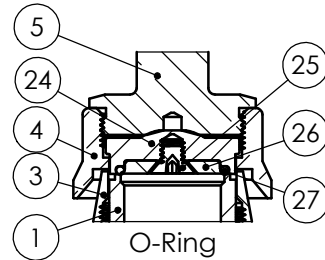


Item	Description	Material
1	Nozzle	SA479-316 SS
2	Ring Lock Screw	SA479-316 SS
3	Lower Ring	SA351-CF8M SS
4	Disc Holder	SA479-316 SS
5	Disc Holder Shaft	SA479-316 SS
6	Disc Guide	SA479-316 SS
7	Bonnet	SA216-WCB
8	Hood Seal	PTFE
9	Seal Wire	Steel / Lead
10	Hood	SA108-1018
11	Pressure Screw	SA479-316 SS
12	Lock Nut	SA479-316 SS
13	Spring Plate	SA479-316 SS
14	Spring	302/17-7 SS
15	Spring Post	SA479-316 SS
16	Spring Pin	18-8 SS
17	Disc Guide Seals (2)	PTFE
18	Disc	SA479-316 SS
19	Body	SA216-WCB
20	Nozzle Seal	PTFE
21	Nameplate	Stainless
22	Lock Screw Seal	PTFE

Series 742 Seating Options

ITEM	Description	Material
23	Disk	PTFE
24	O-Ring Disk	SA479-316 SS
25	Screw	18-8 SS
26	Disk Insert	SA479-316 SS
27	O-Ring	Various



1 1/2" E Orifice is ASME/CE Air/Gas and Steam Only

Orifice	Max Set Pressure	Connections		Closed Cap "A"	Lift Lever "A"	Center to Face "B" "C"		Orifice	Max Set Pressure	Connections		Closed Cap "A"	Lift Lever "A"	Center to Face "B" "C"	
		MNPT	FNPT			MNPT	FNPT			MNPT	FNPT			MNPT	FNPT
D	1500	1/2"	3/4"	7-3/8"	8-1/8"	2-3/8"	1-5/8"	F	750	1-1/4"	1-1/2"	9-1/4"	9-5/8"	2-7/8"	2-1/4"
D	1500	1/2"	1"	7-3/8"	8-1/8"	2-3/8"	1-5/8"	F	750	1-1/2"	1-1/2"	9-1/4"	9-5/8"	2-7/8"	2-1/4"
D	1500	3/4"	3/4"	7-3/8"	8-1/8"	2-3/8"	1-5/8"	G	700	1-1/4"	2"	10-1/4"	10-5/8"	3-3/8"	2-5/8"
D	1500	3/4"	1"	7-3/8"	8-1/8"	2-3/8"	1-5/8"	G	700	1-1/2"	2"	10-1/4"	10-5/8"	3-3/8"	2-5/8"
D	1500	1"	1"	7-3/8"	8-1/8"	2-3/8"	1-5/8"	G	700	2"	2"	10-1/4"	10-5/8"	3-3/8"	2-5/8"
E <sup>1</sup>	1500	1/2"	1"	8-1/8"	9"	2-5/8"	2"	H	600	1-1/2"	2"	11-3/4"	12-1/4"	3-1/2"	2-7/8"
E <sup>1</sup>	1500	1/2"	1"	8-1/8"	9"	2-5/8"	2"	H	600	2"	2"	11-3/4"	12-1/4"	3-1/2"	2-7/8"
E	1500	3/4"	1"	8-1/8"	9"	2-5/8"	2"	H	600	1-1/2"	2-1/2"	11-3/4"	12-1/4"	3-1/2"	2-7/8"
E	1500	3/4"	1-1/4"	8-1/8"	9"	2-5/8"	2"	H	600	2"	2-1/2"	11-3/4"	12-1/4"	3-1/2"	2-7/8"
E	1500	1"	1"	8-1/8"	9"	2-5/8"	2"	H	600	2-1/2"	2-1/2"	12"	12-1/2"	3-3/4"	2-7/8"
E	1500	1"	1-1/4"	8-1/8"	9"	2-5/8"	2"	J	600	2"	3"	14-1/4"	14-1/2"	4"	3-1/4"
E	1500	1-1/4"	1-1/4"	8-1/8"	9"	2-5/8"	2"	J	600	2-1/2"	3"	14-1/4"	14-1/2"	4"	3-1/4"
F	750	1"	1-1/2"	9-1/4"	9-5/8"	2-7/8"	2-1/4"	J	600	3"	3"	14-1/4"	14-1/2"	4"	3-1/4"

Inlet Sizes from 1/2" to 3"  
 Max Temp : 800°F  
 Max Pressure : 1500 P.S.I (300 P.S.I. Steam)  
 Back Pressure : 10% of set, max 50 P.S.I.  
 (whichever is less)

**Aquatrol**  
VALVE COMPANY, INC.

PART NAME		<b>Series 742</b>
Date:	7/18/2013	Part Number <b>742-01-12</b>
Drawn by:		
Approved by:		