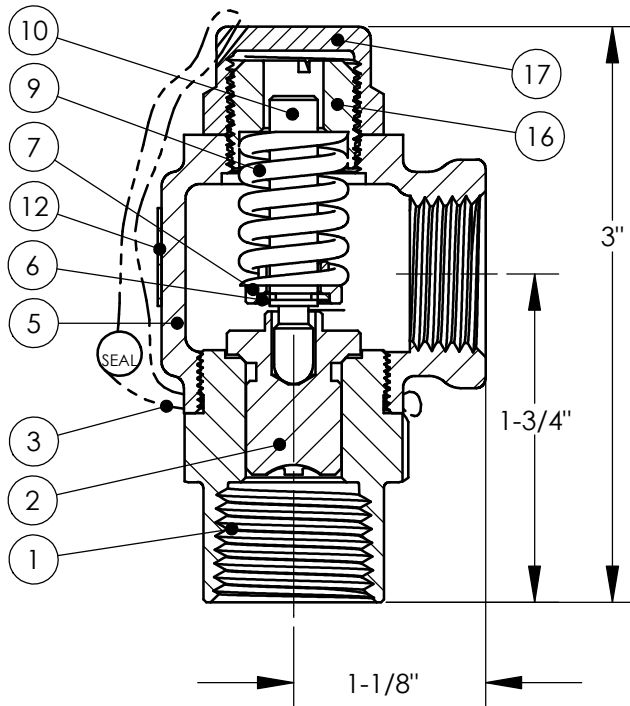


## Safety Valve - Air / Gas / Steam

### ASME - NB Section XIII "UV" for Section VIII Div. 1, CRN



Item	Description	Model/Material	
		Brass	Stainless
1	Body	B16 Brass	SA479-316 SS
2	Disk	B62-C83600	SA479-316 SS
3	Seal Wire	Steel / Lead	Steel / Lead
5	Bonnet	B584-C84400	B584-C84400
6	Support	Stainless	Stainless
7	Spring Plate	B16 Brass	B16 Brass
8	Lift Lever	Steel / Plated	Steel / Plated
9	Spring	302 SS	302 SS
10	Spring Post	B16 Brass	B16 Brass
12	Nameplate	Stainless	Stainless
16	Pressure Screw	B16 Brass	B16 Brass
17	Lock Cap	B16 Brass	B16 Brass

Inlet Sizes 1/4" - 3/8" - 1/2"  
 Outlet Size 1/2"  
 Max Temp: 406°F  
 Max Pressure: 200 P.S.I.

<b>Aquatrol</b> VALVE COMPANY, INC.	
PART NAME <b>Series 135</b>	
Date: 6/11/2012	Part Number
Drawn by:	<b>3-135-00</b>
Approved by:	